

ASSEMBLING & INSTALLATION INSTRUCTIONS PRODUCT# OXFORD SERIES For Chain Hang OR Ceiling Mount

WARNING! SHUT POWER OFF AT FUSE OR CIRCUIT BREAKER .

ASSEMBLING THE FIXTURE (Fig.2).

1. Put the candle sleeve(C) over the lamp holder.
2. Install the light bulbs in accordance with the fixture specifications
NOTE: DO NOT EXCEED THE SPECIFIED WATTAGE!
3. Raise the finial(F) to the bottom hole of glass frame(D) and lock it securely with the hex nut(E) until tight. Attached glass frame(D) to bottom of lamp body(A), lock it securely with the hex nut(B).

HANGING THE FIXTURE (Fig.1)

1. Shut off the power at the circuit breaker and remove old fixture from ceiling, including the old single bar.
2. Carefully unpack new fixture and lay all the parts on a clear surface.
3. Thread the two studs into the pre-drilled holes in the Mounting plate spaced the same distance apart as the holes in the canopy. Attach the Mounting plate to the Junction Box with the two Junction Box Screws as shown. The side of the Mounting plate marked "GND" must face to out.
4. Using proper chain pliers to open one end link of the chain provided and connect to the fixture loop. Close the link.
5. By measuring, determine correct number of links needed for proper hanging height. Using proper chain pliers disconnect and discard remaining chain.
6. Lace the fixture wires through the chain.
7. Open the other end link of the chain and hang the fixture on the loop at the ceiling. Close the link.
8. Feed the fixture wires through the loop of the canopy and pull until taut.
9. Slide canopy up flush to ceiling, lock it securely with ball nut.

****If you not need assembly the fixture loop , please pause and refer to Fig 4.****

1. Take out the bottom loop of the canopy, then take the canopy to the fixture body, lock it with the shim and hex nut until tight.
2. Attach the fixture body to the ceiling, lock it securely with the ball nut.

CONNECTING THE WIRES (Fig.3)

1. Take the black wire from the ceiling junction box and the smooth wire leg from the fixture and twist bare ends together. Twist wire connector onto end of wire until snug.
2. Repeat same process with white junction box wire and ribbed wire leg of fixture wire. NOTE: Twist wires together in the same direction you twist the wire connector onto wires.
3. If your junction box has a grounding wire (green or bare copper), attach this wire and the bare copper wire from the fixture together as step 1. If junction box has no ground wire, attach the bare copper fixture wire to the green ground screw on the single bar.
4. Tuck these wire connections neatly into the ceiling outlet box and then raise the canopy all the way to the ceiling. Lock it securely with ball nut.

Your installation is now complete. Return power to the junction box and test the fixture.

Fig.1

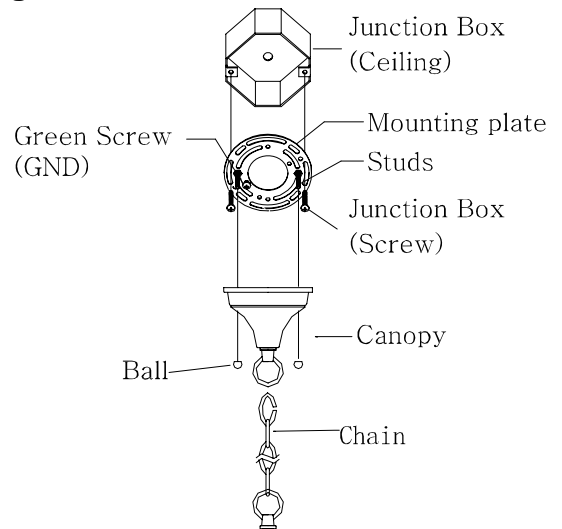


Fig.2

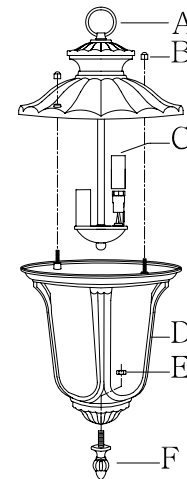


Fig.4

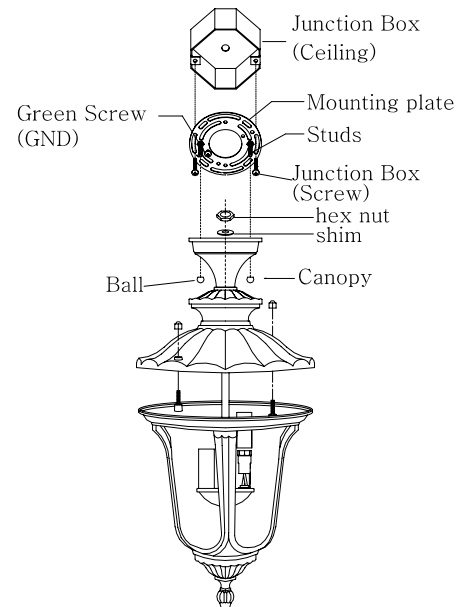


Fig.3

