

## ASSEMBLING & INSTALLATION INSTRUCTIONS

The drawing shown may not exactly match the product enclosed. However, the installation instructions do apply to this product.

- ◆ **WARNING! SHUT POWER OFF AT FUSE OR CIRCUIT BREAKER.**
- ◆ **ATTENTION! COUPER LE COURANT AU FUSIBLE OU UN DISJONCTEUR.**

### ASSEMBLING THE FIXTURE (Fig.1).

1. Shut off the power at the circuit breaker and remove old fixture from ceiling, including the old crossbar.
2. Carefully unpack new fixture and lay all the parts on a clear surface.
3. **Fig.1.1**, Feed fixture wires through the back plate(D), crossbar(A) and the hex nut(B).
4. **Fig.1.2**, Adjust the hex nut(K) to position suitable at pipe thread. Using the hex nut (B) install the crossbar(A), the hex nuts should not lock too tightly. The side of the crossbar marked "GND" must face out. **Note: The crossbar is flush with back plate edge.**
5. **Fig.1.3**, Tack out the cone nut(E)/back plate(D) and move to right, attach the assembled lamp body's crossbar(A) onto the junction box and using the two junction box screws(C) as shown. **The junction box is not included.**
6. Follow wiring instructions carefully.(see fig.2)
7. **Fig.1.4**, The lamp holder maybe upward or downward. However, you must adjust the lamp holder to the vertical position and using the wrench(L) lock the hex nut(K) until tight.
8. Holding the back plate(D) onto the junction box, lock it securely with the cone nut(E).
9. Attach the end of wrench(I) insert to the small holes of the check ring(H), place the glass shade(G) to the lamp holder and securely tighten it with the check ring(H), then remove the wrench and **save it.**
10. Install the light bulb (Not included) in accordance with the fixture specifications. **NOTE: DO NOT EXCEED THE SPECIFIED WATTAGE!**

### CONNECTING THE WIRES (Fig.2)

1. Connect the electrical wires as follows. Connect the Black wire from the fixture to the black house (hot) Wire. Connect the white wire from the fixture to the white (neutral) house wire. Make sure all wire nuts are secured. You may wrap the connections with electrical tape. If your junction box has a ground wires (green or bare copper) connect fixture's ground wire to it. Otherwise attach the bare copper fixture wire to the green ground screw on the crossbar.
2. Tuck the wire connections neatly in to the wall junction box.

**Your installation is now complete. Return power to the junction box and test the fixture.**

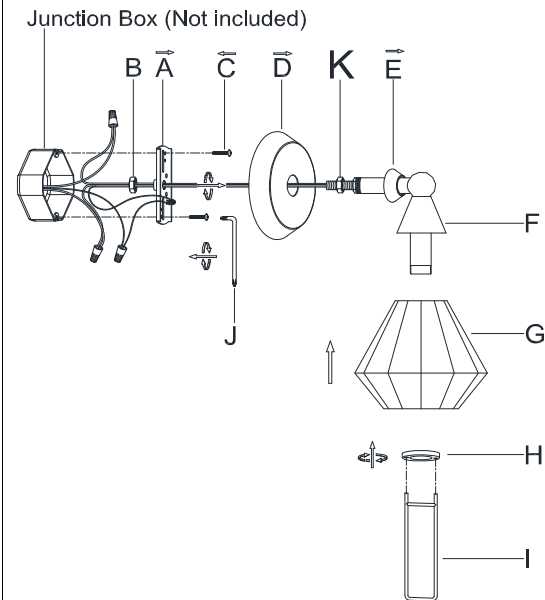


Fig.1

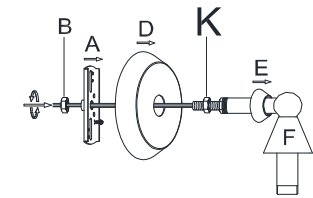


Fig.1.1

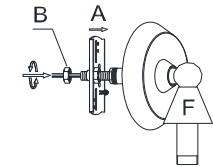


Fig.1.2

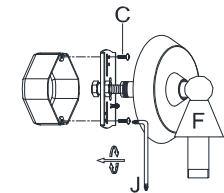


Fig.1.3

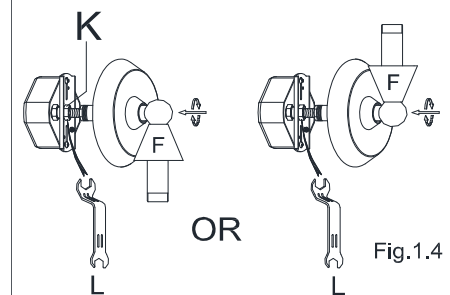


Fig.1.4

### FIG.2

